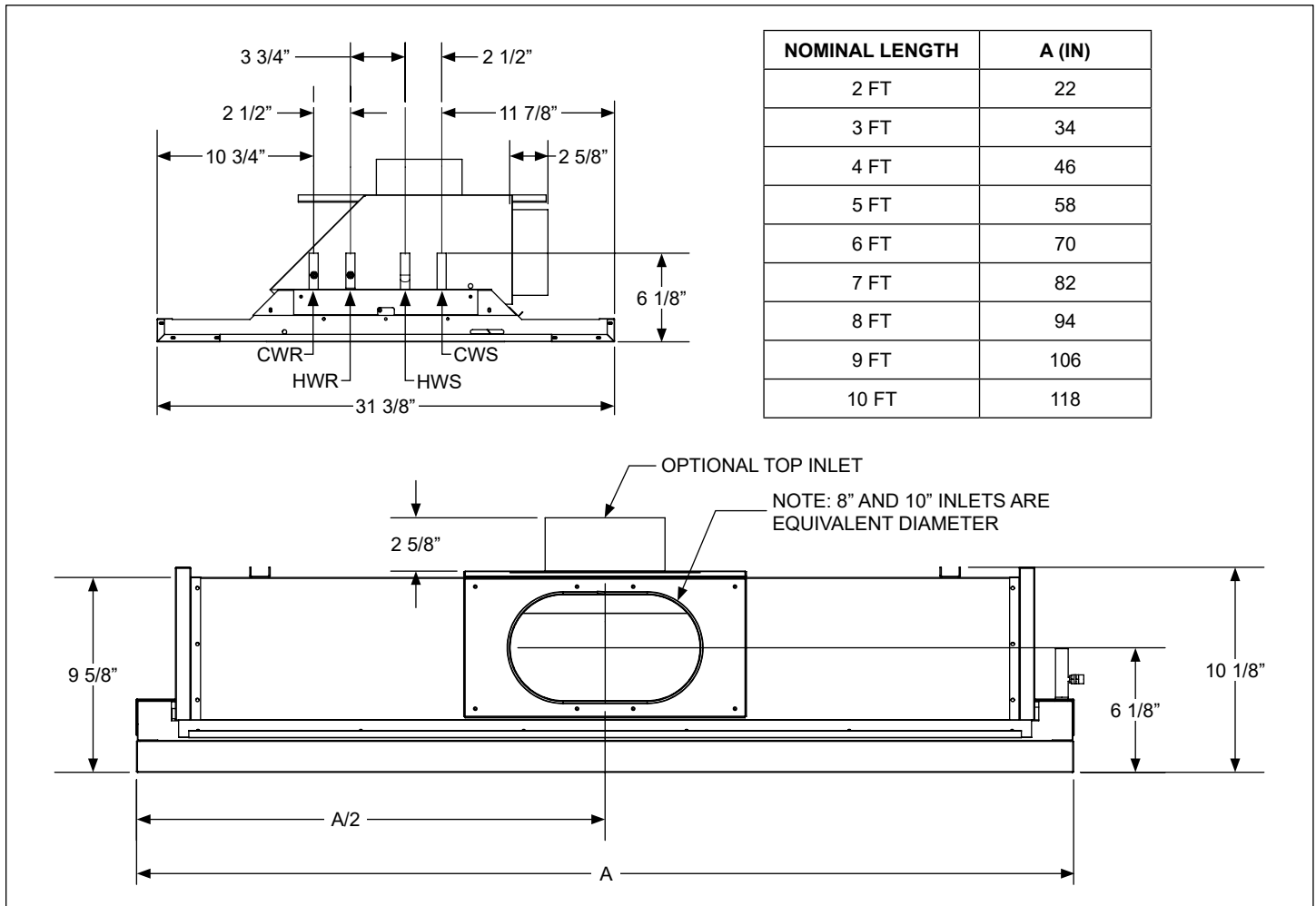


CBE2-24 • Linear Exposed Mounted Chilled Beam • 1-Way & 2-Way Discharge • Horizontal Coil

Top Inlet Configurations



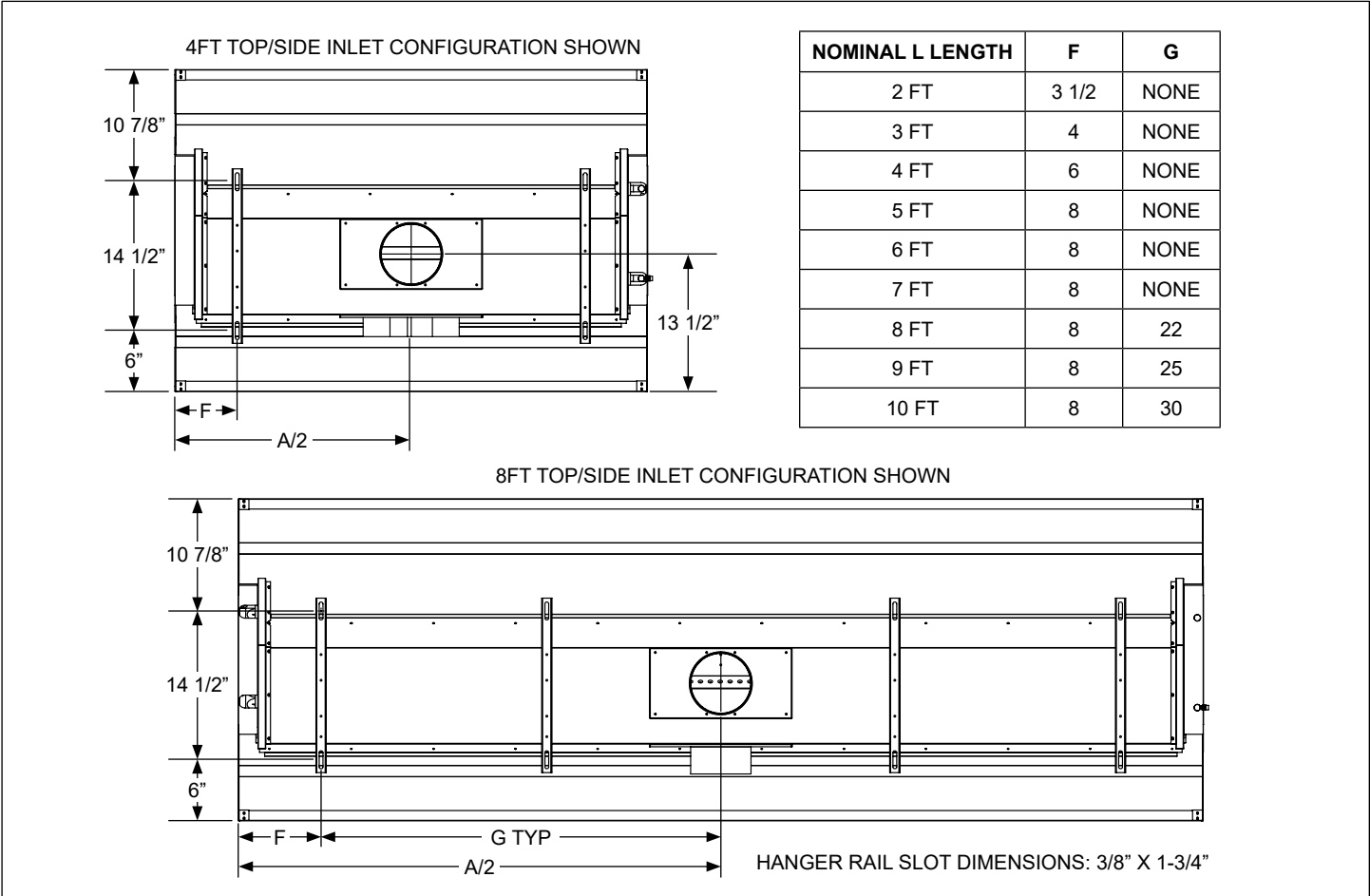
General Description

- 24 inch wide, linear active chilled beam diffuser, available with 1-way or 2-way air distribution.
- Designed with integrated coanda plates for exposed installations.
- 2 to 10 feet chilled beam length in 1 foot increment.
- 2 pipe or 4 pipe coil configurations.
- Casing manufactured with galvanealed G90, 24 gauge sheet metal. Mechanically sealed, leak resistant construction.
- Coil standard with air vent, coil drain and 1/2" water connection, optional sweat or threaded connection.
- Mounting brackets are provided, quantity varies per unit length.
- 4, 5, 6 or 8 inch oval and 10 inch oval inlet connection, located either on the side or top.
- Return face panel assembly is hinged, on both sides, allowing to swing open from either side or to be completely removed and provide easy access to internal components.
- Return face panel assembly available with round perforation or linear bar grille.
- Exterior face, border elements and visible internal components are painted in color of choice. Exposed plenum components painted black. Paint is powder coat, a mix of polyester and epoxy.

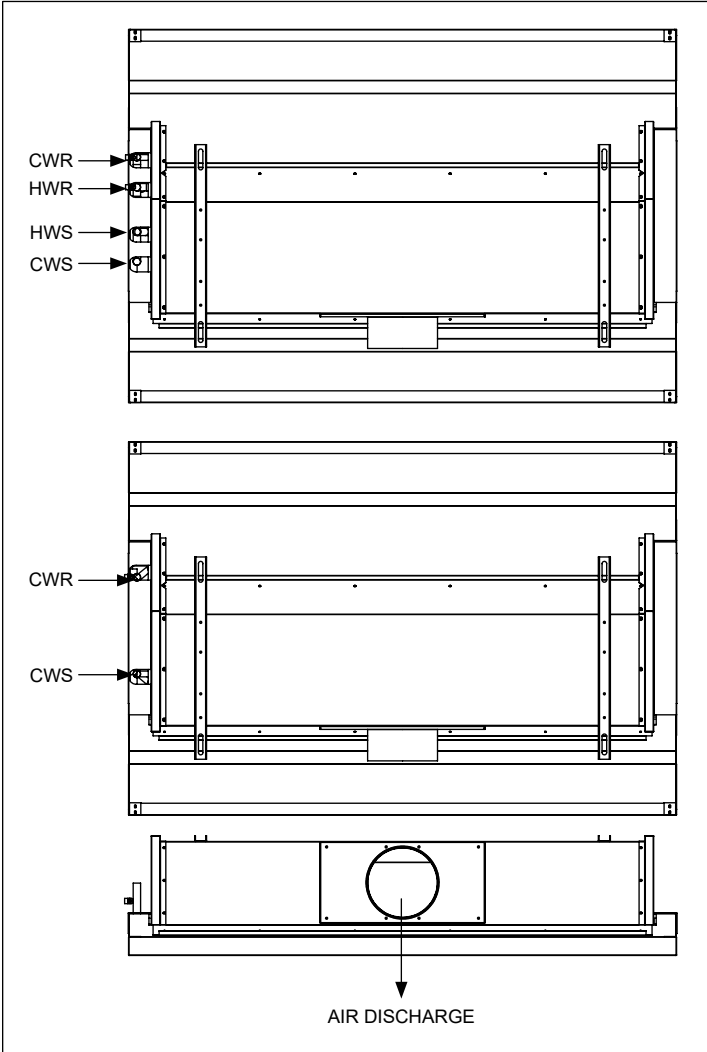
Basic Unit Configuration

Beam Width (nominal- in) <input type="checkbox"/> 24	Unit Length (nominal - ft) <input type="checkbox"/> 2 <input type="checkbox"/> 3 <input type="checkbox"/> 4 <input type="checkbox"/> 5 <input type="checkbox"/> 6 <input type="checkbox"/> 7 <input type="checkbox"/> 8 <input type="checkbox"/> 9 <input type="checkbox"/> 10	Throw Pattern <input type="checkbox"/> F - 1 Way Towards Inlet <input type="checkbox"/> B - 1 Way Away From Inlet <input type="checkbox"/> 2 - Way	Nozzle Configuration <input type="checkbox"/> M13 <input type="checkbox"/> M17 <input type="checkbox"/> M20 <input type="checkbox"/> M23 <input type="checkbox"/> M27 <input type="checkbox"/> M31
Primary Air Inlet Diameter Connection (inch) <input type="checkbox"/> 4 <input type="checkbox"/> 5 <input type="checkbox"/> 6 <input type="checkbox"/> 8* <input type="checkbox"/> 10* <small>*Note: 8" and 10" are equivalent oval</small>	Primary Air Inlet Orientation <input type="checkbox"/> Side <input type="checkbox"/> Top <input type="checkbox"/> Multi-Inlet	Face Pattern <input type="checkbox"/> Circular Perforation	Accessories <input type="checkbox"/> Lint Screen <input type="checkbox"/> Insulation
Coil Type - Water Side Connection <input type="checkbox"/> 2 Pipe - Left Hand <input type="checkbox"/> 2 Pipe - Right Hand <input type="checkbox"/> 4 Pipe - Left Hand <input type="checkbox"/> 4 Pipe - Right Hand	Coil Connection -Type <input type="checkbox"/> ½ in Sweat (SWT) <input type="checkbox"/> ½ in MNPT* (MPT) <input type="checkbox"/> ¾ in MNPT* (3PT) <small>*Note: MNPT required for CBHK hoses. CBHK hoses ordered separately.</small>	Exposed Face Finish Color <input type="checkbox"/> White (WHT) <input type="checkbox"/> Black (BLK)	

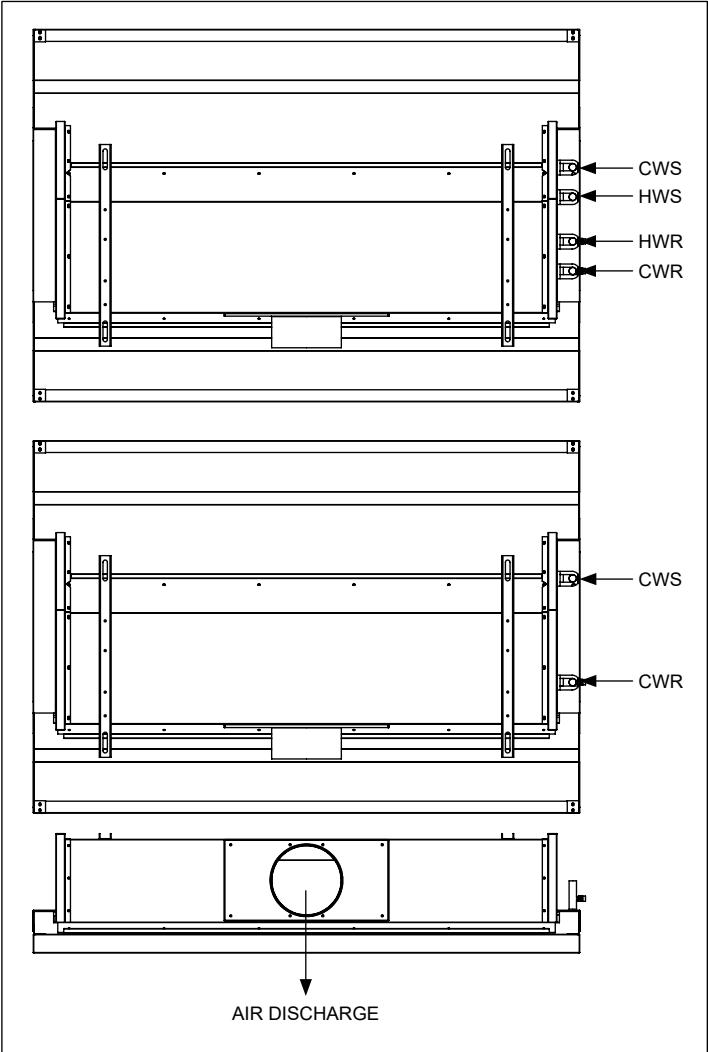
Hanger Bracket Details



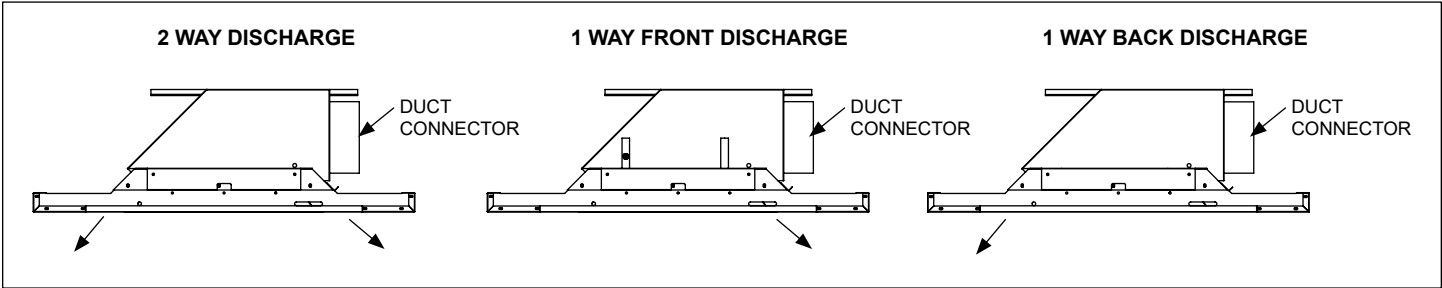
Side Inlet, Discharge and Piping Configuration



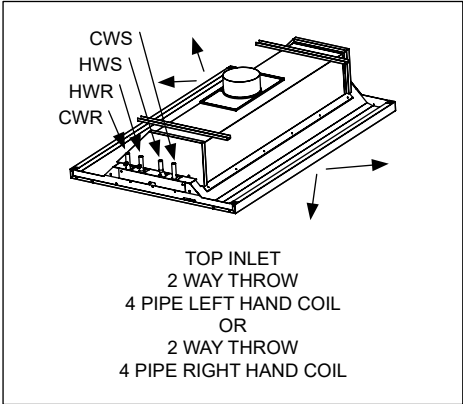
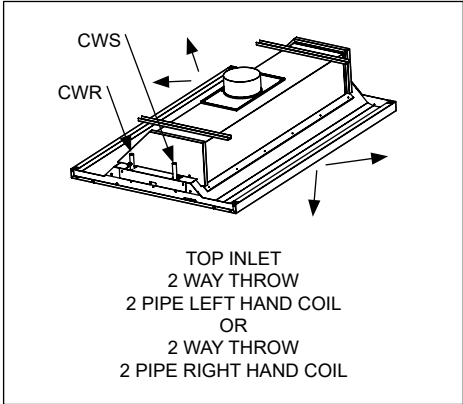
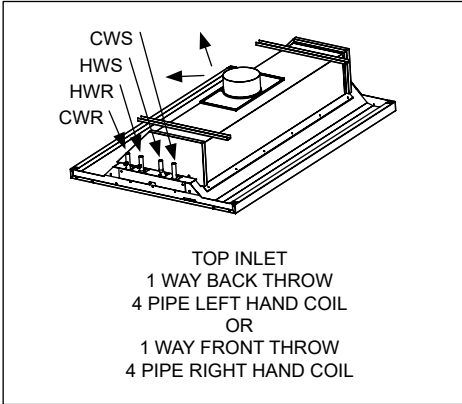
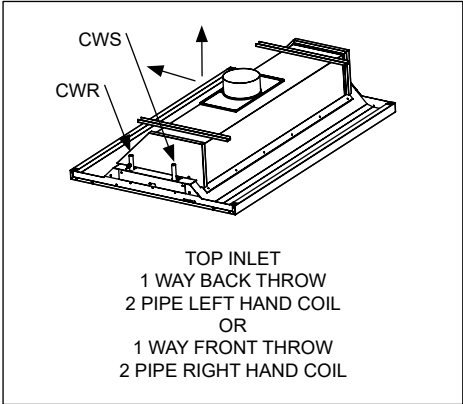
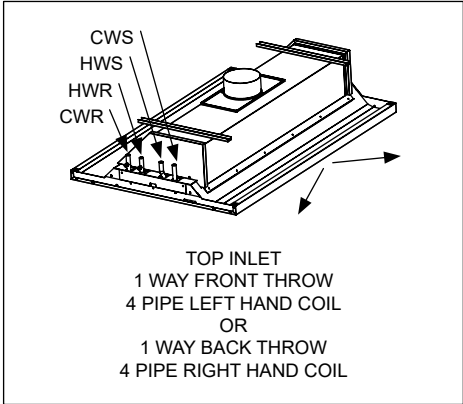
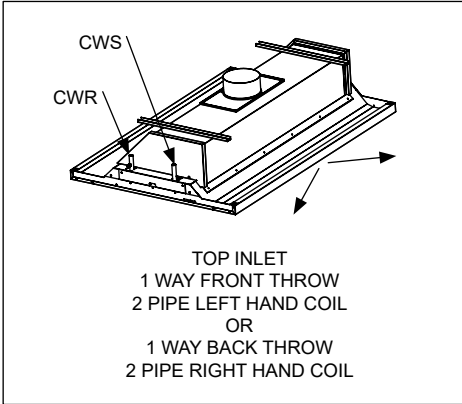
LEFT HAND PIPES



RIGHT HAND PIPES



Top Inlet, Discharge and Piping Configuration



R - RETURN W - WATER S - SUPPLY
HWR - HEATING WATER RETURN HWS - HEATING WATER SUPPLY
CWR - COOLING WATER RETURN CWS - COOLING WATER SUPPLY
 *HOT WATER CONNECTIONS ON 4-PIPE COIL ONLY